

JET-LOADER QUADRO WITH LOADING FILTER



JET- LOADER QUADRO



The Stanelle JET-LOADER TYPE JBM 220 QUADRO is designed for the loading of silo vehicles and containers with free flowing, dry bulk materials. The wide range of applications includes the mining-, chemical- and pharmaceutical industries - even in the explosion-proof areas.

Areas of Application

- Compact construction due to integrated winch motor with factory-set lift-limit switches, slack wire switch guided on a connector switch and filling level indicator
 - Robust and abrasion protected, high operating security and maintenance friendly
 - Perfectly centered bulk material stream
 - Wear protected lift cords that are installed outside the bulk material flow
 - Simple installation due to compact construction
 - Filling level detection system
 - Closure cone
 - Loading filter ensures dedusting during silo loading process
-
- Closure cone heater
 - Vacuum flap
 - Pneumatic internal cleaning
-
- Material grade: Steel or stainless steel. Top coating with hammer tone silver gray (other colors available on request)

Details / Explanation

Accessories

Finish

Filling level indicator:

- **Vibration-Sensor** for light to dusty and grainy bulk materials, up to 10 mm granulate size. Media temperature up to 130°C. Bulk material in Dusty-Ex range zone 20 and temperature range of -20°C to + 60°C.

Notice

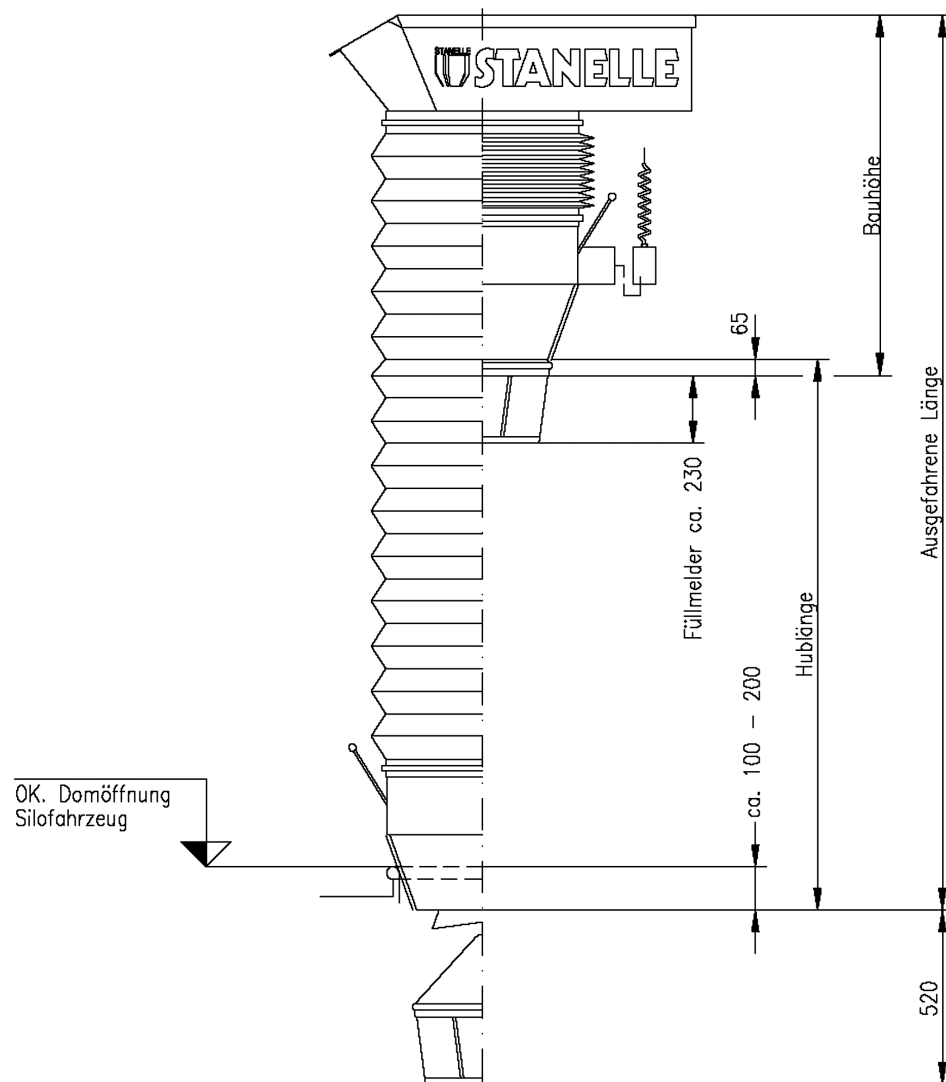


Dimensions

Number of buckets	3	4	5	6	7	8	9	10	11	12
Construction Height ¹⁾	1080	1140	1200	1260	1320	1380	1440	1500	1560	1620
Total length	1900	2190	2480	2770	3060	3350	3640	3930	4220	4510
Lift	820	1050	1280	1510	1740	1970	2200	2430	2660	2890

1) With filling level indicator plus 230 mm.

Notice



An immersion depth of the top cone into the opening of 150-200 mm needs to be calculated when calibrating the lift or the total length. During the loading process silo vehicles can be lowered for 100 mm, due to the additional weight.

Notice



Technical Data Quadro

Type JBM 220 Quadro	
Nominal diameter	220 mm
For silo domes of	380 – 500 mm
Telescope shaft height	See dimensions above
Lift	See dimensions above
Voltage	400, 500, oder 690 V
Filling level indicator	10 – 250 V AC/DC
Lift motor	1,1 KW

Article number

Type JBM 220 Quadro, Electro motor-driven	Number of buckets	Steel 37-2 ²⁾	Stainless steel
		Article number	Article number
	3	751 10 046	751 10 397
	4	751 10 047	751 10 396
	5	751 10 048	751 10 395
	6 Standard configuration	751 10 049	751 10 355
	7	751 10 097	751 10 113
	8	751 10 050	751 10 573
	9	751 10 051	On inquiry
	10	751 10 052	On inquiry
	11	751 10 053	On inquiry
	12	751 10 054	On inquiry

²⁾ Outside steel parts rust removal degree SA1, zinc-phosphate-grounding approx. 40 µm, top coat hammer tone gray, approx. 40 µm.

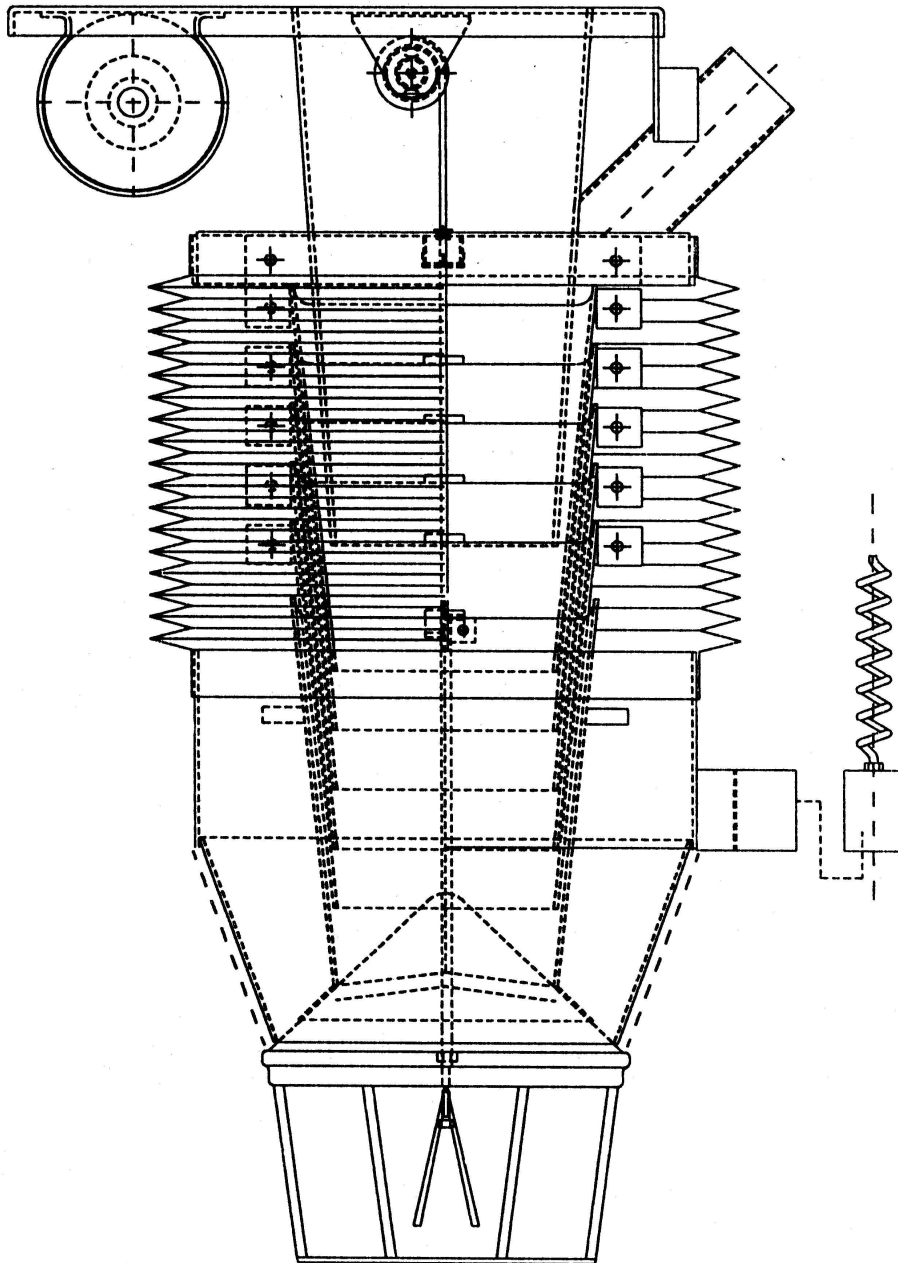
Explosion proof design on request.

Notice



Article number

Type JBM 220 Quadro –hand driven–	Article number
For silo dome opening of 380 to 500 mm diameter, compact design, with 5 square steel buckets, closure cone made of cast iron, with outside rubber bellows and reinforced, exchangeable cord holder, 1 vent pipe DN 100/108. Construction height: approx. 1260 mm plus filling level indicator (approx. 230 mm). Telescope shaft length: approx. 1510 mm. External steel parts rust removal degree SA1, zinc-phosphate-grounding, approx. 40 µm, top coat hammer tone gray, approx. 40 µm.	751 10 311



Quadro hand driven

Accessories

Filling level indicator	Type	Steel 37-2	High-grade Steel
With protection cage, electric supply cord, running on clamp inside the loader cone, fully installed, mounted to bottom side of closure cone. Construction height is extended for approx. 230 mm.		Article number	Article number
	Vibration sensor: Model 10 – 250 V AC/DC with relay contact	751 10 485	751 10 487
	Vibration sensor with separate electronic: Model 10 – 250 V AC/DC with relay contact	751 10 557	751 10 488
	Rotatable flank detector: Model 230 V	751 10 068	751 10 068
	Rotatable flank detector: Model 24 V DC	751 10 069	751 10 069
	Vibration sensor: for application in Ex-range Zone 20, with separated electronic and signal evaluator	751 10 511	751 10 124

Article number

Closure cone heater	Article number
Self regulating heater, included in the closure cone on clamp over helix cable inside the loader, shot-down at approx. +60°C, Voltage 230 V 50 Hz	751 10 058

Article number

Pneumatic internal cleaning	Article number
Pneumatic dedusting system, inside buckets und outside rubber bellows are ventilated and cleaned; the same applies to the exhaust area in the top cone	751 10 194

Article number

Vacuum flap	Article number
Installed on the vent pipe of the loader; connected to a dedusting system	751 10 131